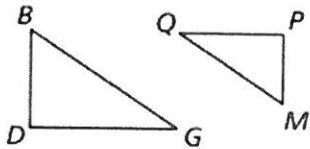


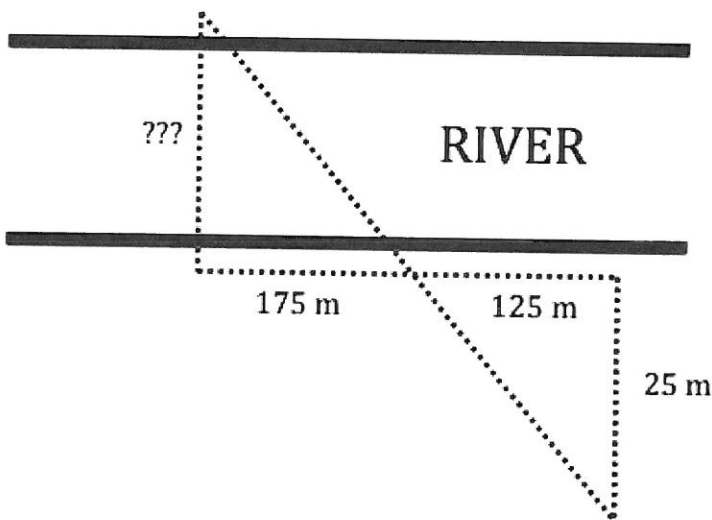
8.1-8.3 Practice Quiz

1. List all pairs of congruent angles. Then write the ratios of the corresponding side lengths in a statement of proportionality.

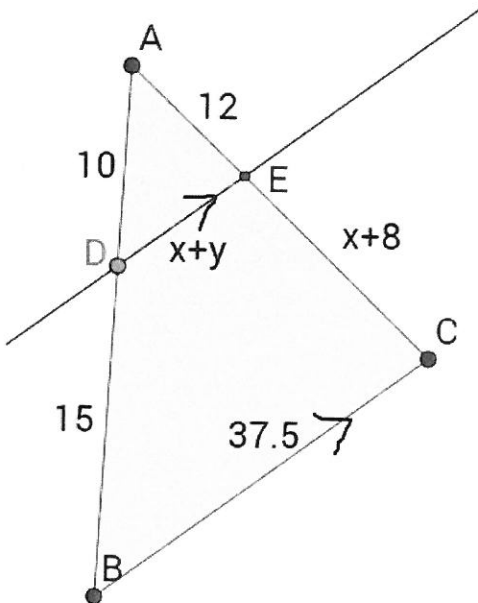
$$\triangle BDG \sim \triangle MPQ$$



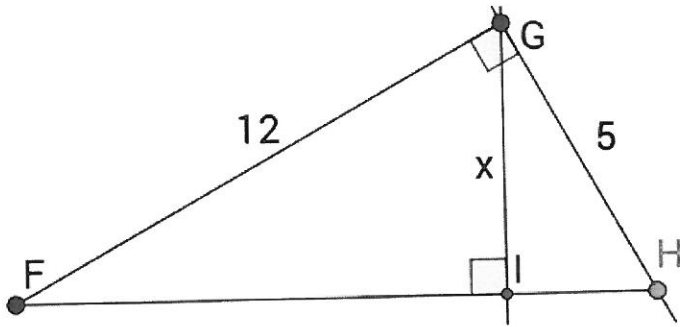
2. An engineer is trying to determine the width of a river. A diagram is provided (assume any angles that look right are right). What theorem proves the triangles are similar? Find the width of the river.



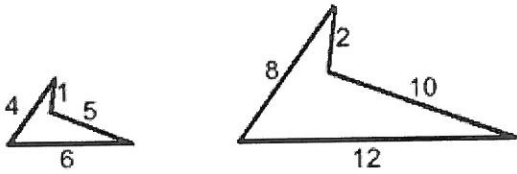
3. Solve for x and y.



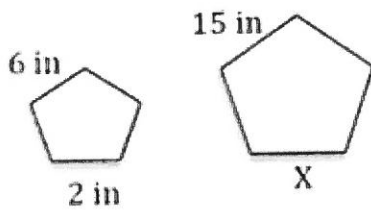
4. Solve for x .



5. The quadrilateral on the right has an area of 60 units^2 . What is the area of the quadrilateral on the left?



6. The perimeter of the pentagon on the left is 24 units. What is the perimeter of the pentagon on the right?



7. Solve for x and y . Then find the ratio of the area of the big triangle to the area of the small triangle.

