

Name: _____

Period: _____

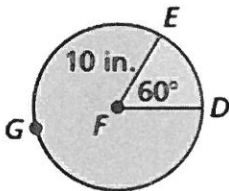
11.3 Practice Problems

Find the indicated measure.

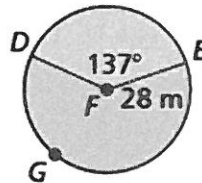
1. area of a circle with a radius of 5 inches
2. area of a circle with a diameter of 16 feet
3. radius of a circle with an area of 89 square feet
4. radius of a circle with an area of 380 square inches
5. diameter of a circle with an area of 12.6 square inches
6. diameter of a circle with an area of 676π square centimeters
7. About 210,000 people live in a region with a 12-mile radius. Find the population density in people per square mile.
8. About 650,000 people live in a region with a 6-mile radius. Find the population density in people per square mile.

Find the area of each sector

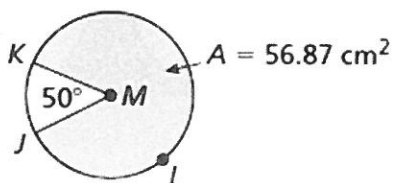
9.



10.

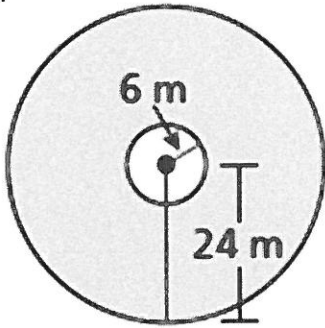


11. Find the area of $\odot M$

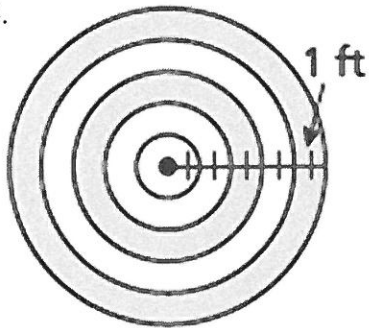


Find the area of each shaded region.

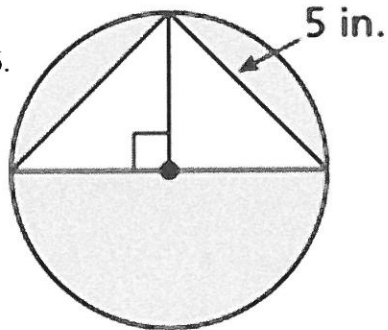
12.



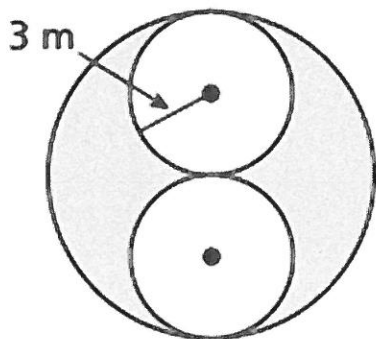
14.



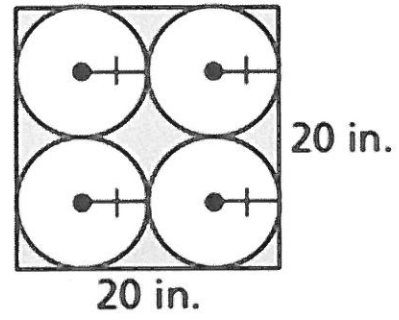
16.



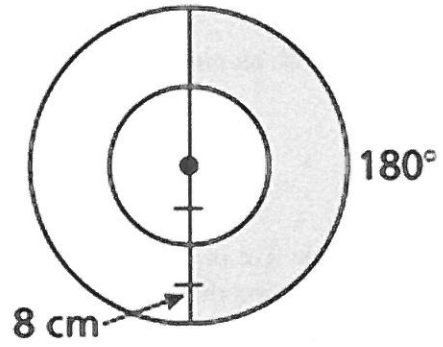
18.



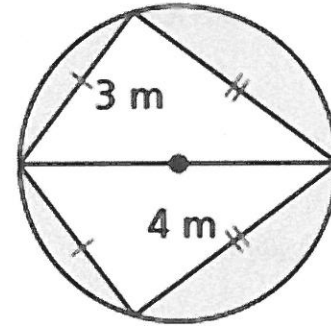
13.



15.



17.



19.

